

Instruction Manual for M67/M77 Flip Diopter Holders

PN# 25101, 25103, 25108, 25109

FOREWORD

Thank you for your purchase of a NAUTICAM product.

At NAUTICAM, we pride ourselves in the ability to recognise the requirements of professional as well as amateur underwater photographers and fulfill them through the innovative designs of our products. We strive to achieve a high level of user-friendliness by allowing stress-free installation and easy operation of all important functions of the camera.

Please read this manual carefully before using the product, this will maximise its performance as well as its lifetime.

WARRANTY

All NAUTICAM Products are warranted against any material and manufacturing defects for two years from the date of purchase for consumer use. This warranty only applies to products purchased from authorised NAUTICAM dealers and does not extend beyond the original retail purchaser.

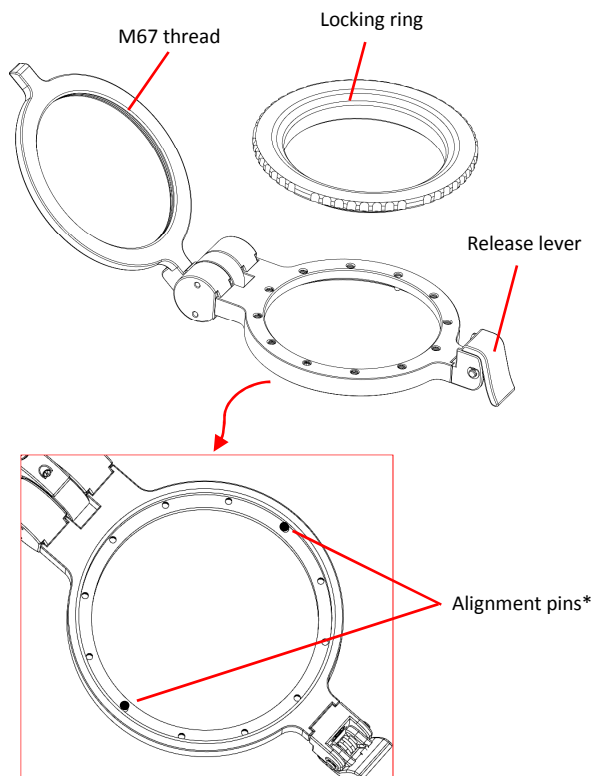
To return your product for service, please contact your regional authorized service centre(s). Please note that this warranty only applies when the product is purchased in the territory where the service centre is located.

NAUTICAM does not hold responsibility for damage, of any nature, to any equipment used with and/or placed within our products.

NAUTICAM accepts no liability for any loss of captured images or the inability to capture images even if it is due to the malfunctioning of our products.

Unauthorised modifications and/or repairs of our products will automatically invalidate the warranty.

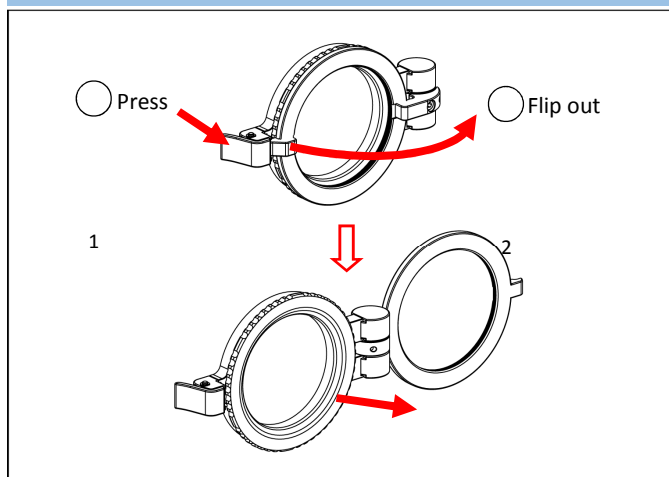
IDENTIFICATION OF PARTS



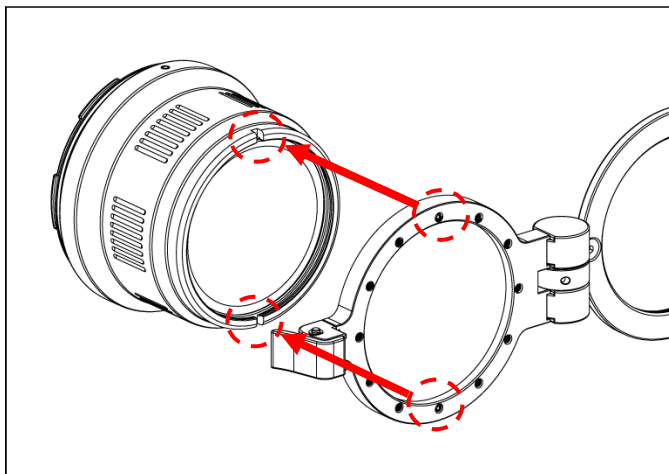
*There are two alignment pins at the bottom of the holder, by relocating the two screws to the threaded holes around the holder, the position of the holder can be changed.

#25101 M67 Flip diopter holder is used as an example in this instruction manual, #25103 will be slightly different in term of appearance.

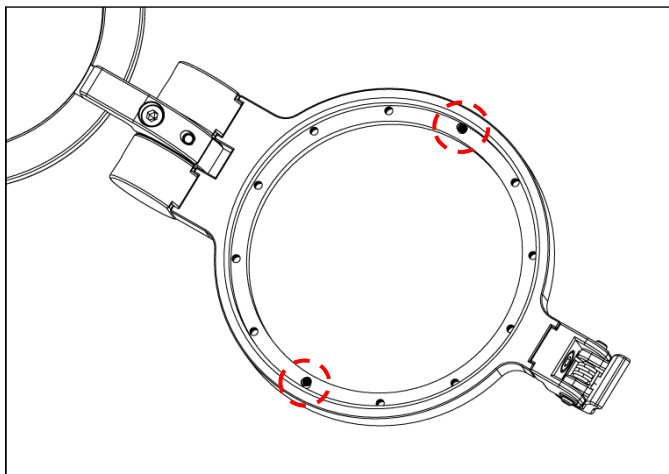
MOUNTING THE FLIP HOLDER ON A PORT



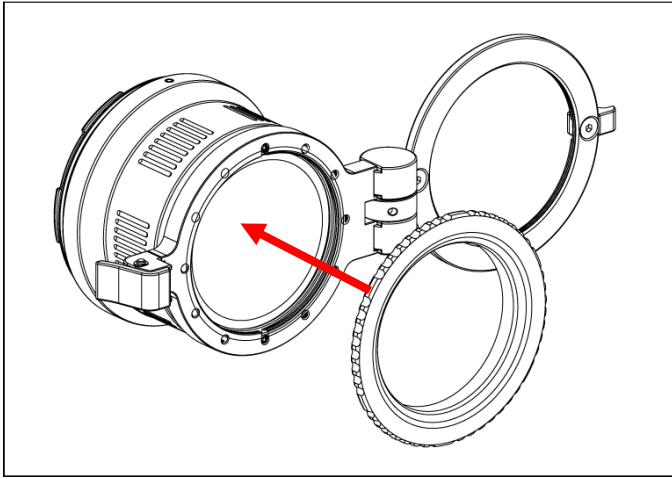
Press the lever and flip the diopter holder to the side then remove the locking ring from the flip diopter holder.



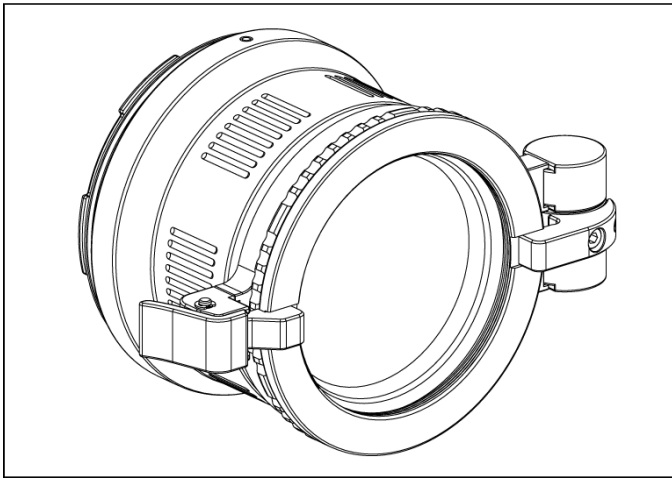
Align the two positioning screws on the back of the holder with the slots on the front of the port.



The position of the flip diopter holder can be changed by relocating the two screws in the threaded holes around holder.



Fasten the holder by screwing the locking ring into the thread on the front of the port.



To un-mount the flip diopter holder from the port, reverse the above steps.

SPECIFICATIONS

Thread size for diopter:	M67
Thread size for ports:	25101: M67
	25103: M77
	25108: M67
	25109: M77